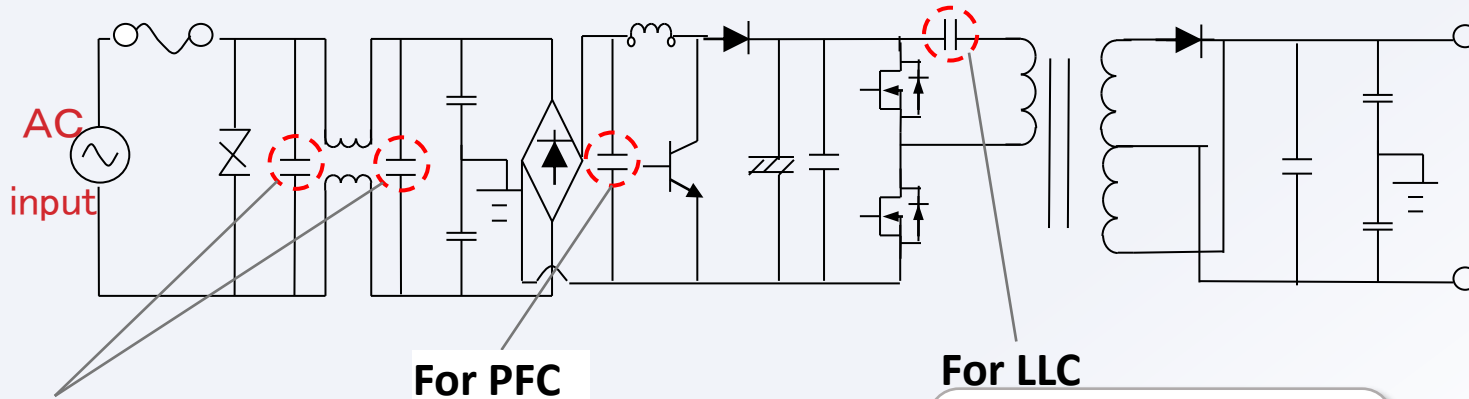


Nitsuko Film capacitors for Power supply



Class X2

FSX

Rated voltage: 310VAC
Capacitance: 0.10~10 μ F

For PFC

FPS3 Standard

Rated voltage: 450VDC
Capacitance: 0.47~2.2 μ F

FPS4 Small

Rated voltage: 450VDC
Capacitance: 0.47~4.7 μ F

FPA 550V

Rated voltage: 450VDC
Capacitance: 0.47~2.2 μ F

FPS5 Small

Rated voltage: 450VDC
Capacitance: 0.47~2.2 μ F

FPCS 450V

Rated voltage: 450VDC
Capacitance: 0.47~4.7 μ F

For LLC

FSG

Rated voltage: 1000,1600VDC
Capacitance: 0.0068~0.39 μ F

For power supply PFC,
We would proposal Low Noise, shape customize
(Thin/Low height), halogen-free according to your requests.