

For Automotive (xEV (DCDC, OBC, AC-inverter))

AEC-Q200

IATF16949

Nitsuko film capacitors are smaller, more responsive to customization, and more reliable than other companies.

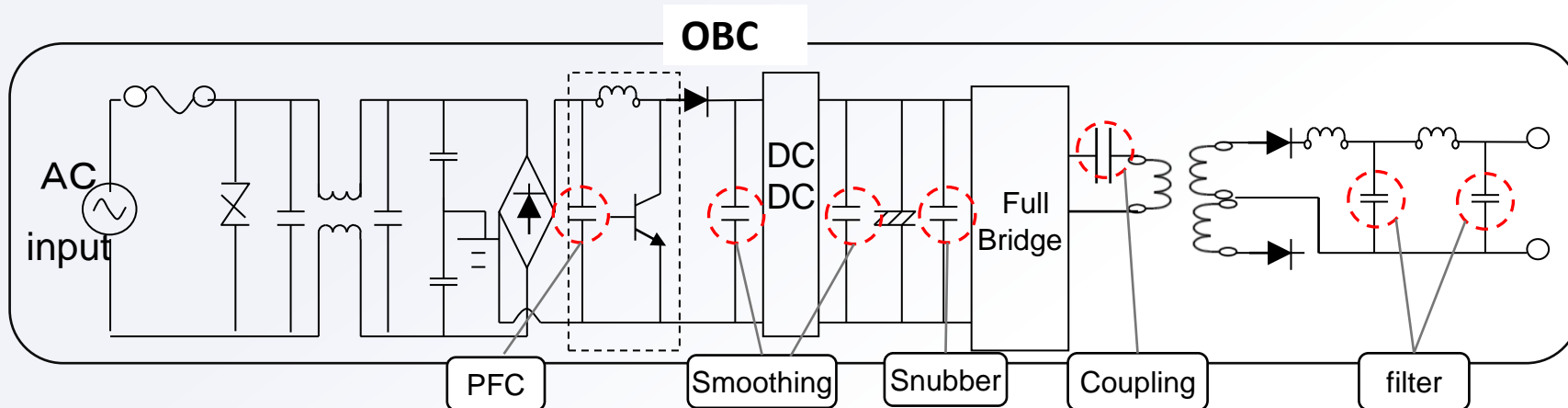
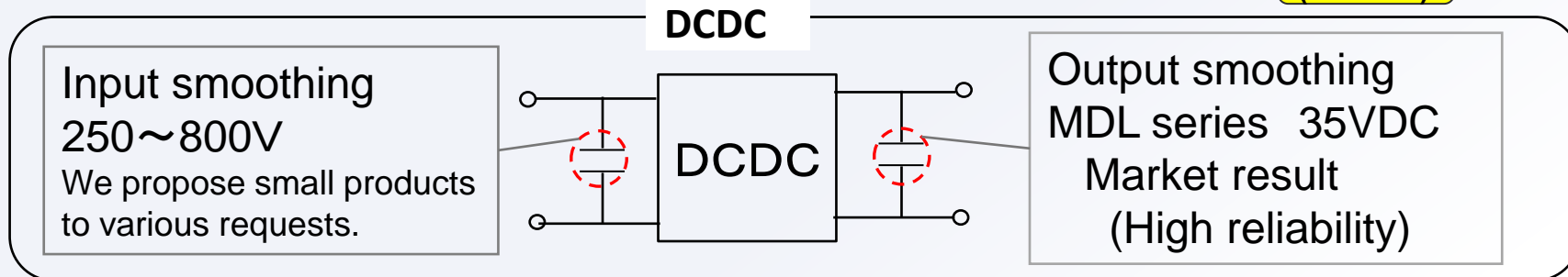
It is especially widely used in xEV DCDC that require miniaturization.

We would make the custom proposal according to your request.

Contact us
(Products)



Registration No.
JQA-AU0413
IATF No
0400381



<p>New product (Automotive) Samples available</p>	<p>FPCS</p>	<p>NEW</p>	<p>FPCT</p>	<p>NEW</p>	
		<p>Voltage 630VDC Capacitance 1.0~2.2μF</p>	<p>Boxed</p>		<p>Current</p>
	<p>Small</p>	<p>Voltage 700VDC Capacitance 15~30μF</p>	<p>+125°C</p>		